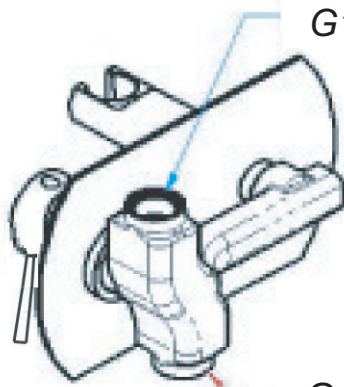


ART. COD.

**N 60**

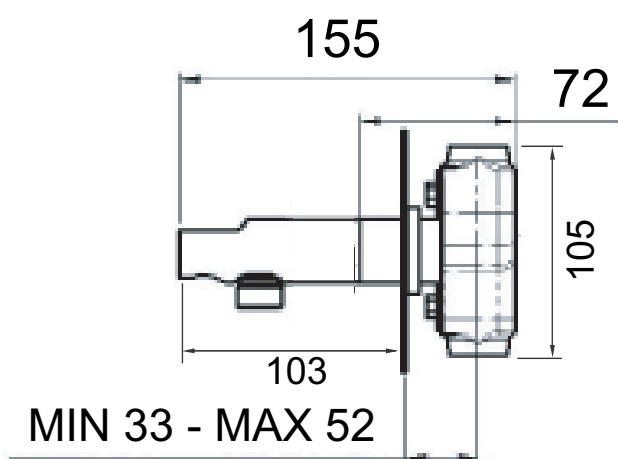
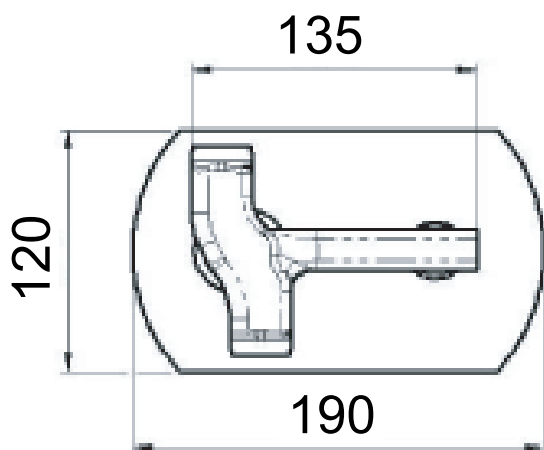


150 cm



G1/2 ACQUA FREDDA  
G1/2 COLD WATER

G1/2 ACQUA CALDA  
G1/2 HOT WATER



**MATERIALI / MATERIALS**

OTTONE CROMATO / CHROME PLATED BRASS

**CROMATURA / CHROME PLATING**

UNI EN 248

Via Leonardo da Vinci 83 - 20062 Cassano d'Adda (MI) Italy - Tel. +39-0363 364211

[info@remer.eu](mailto:info@remer.eu) [www.remer.eu](http://www.remer.eu)